

FIG. 1 PRIOR ART

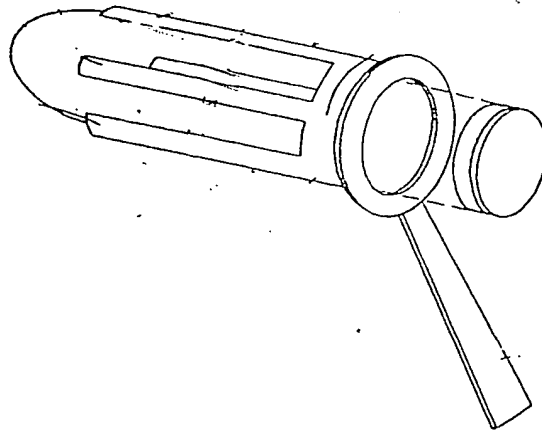


FIG. 2 PRIOR ART

20250408 08:00:00

10

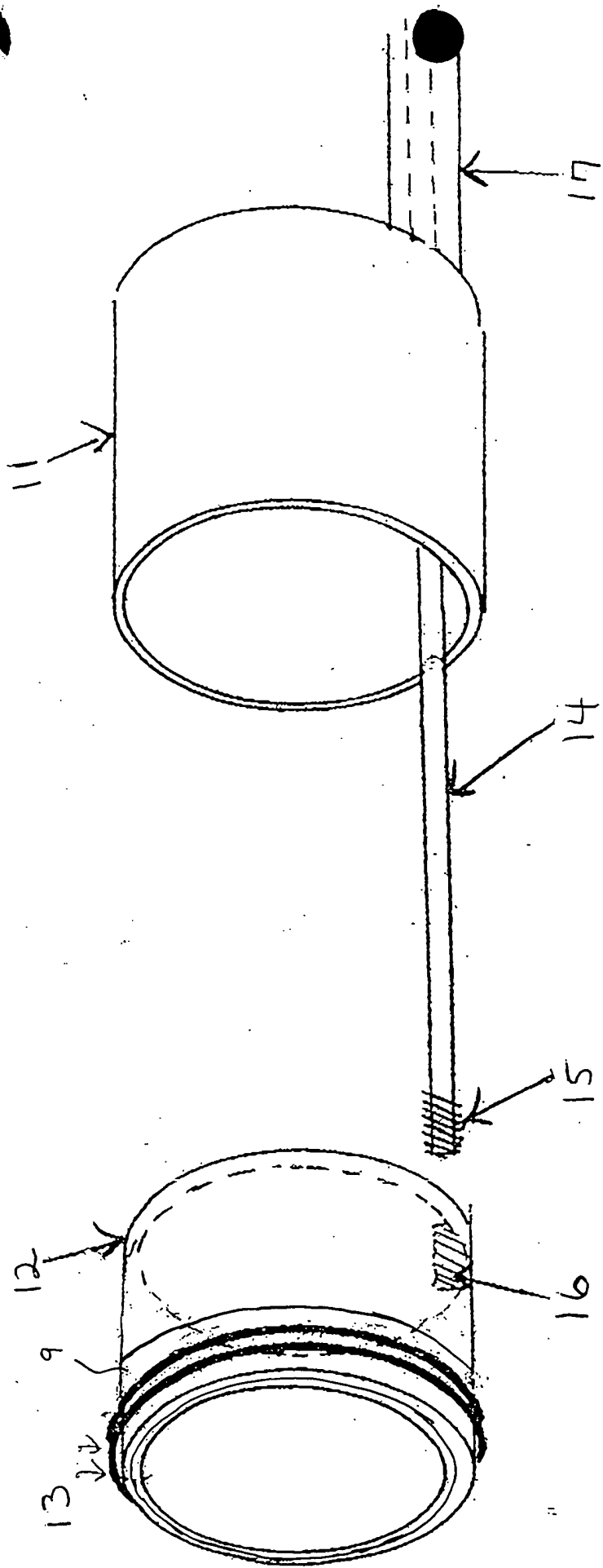


FIG. 3

30/30

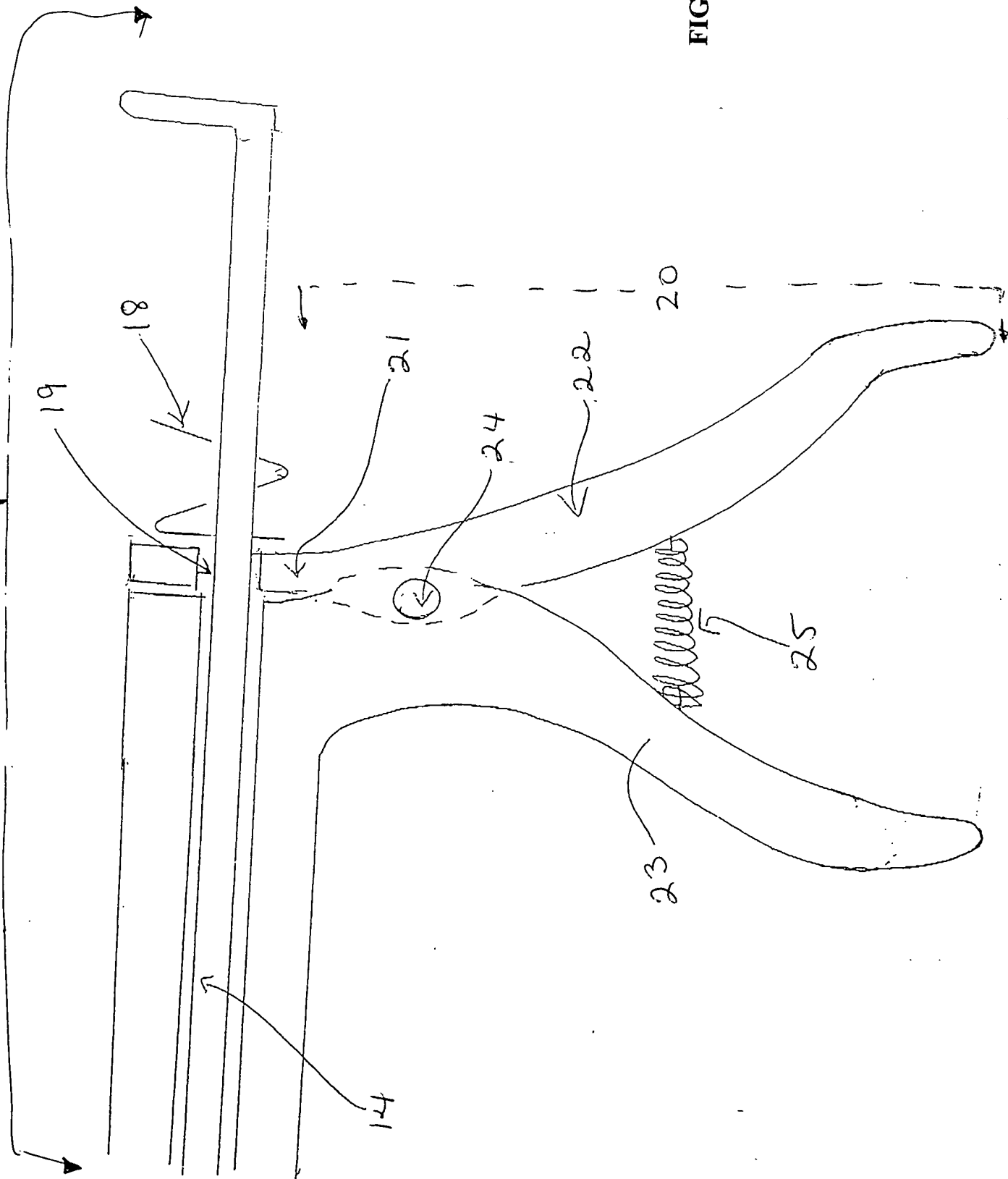


FIG. 4

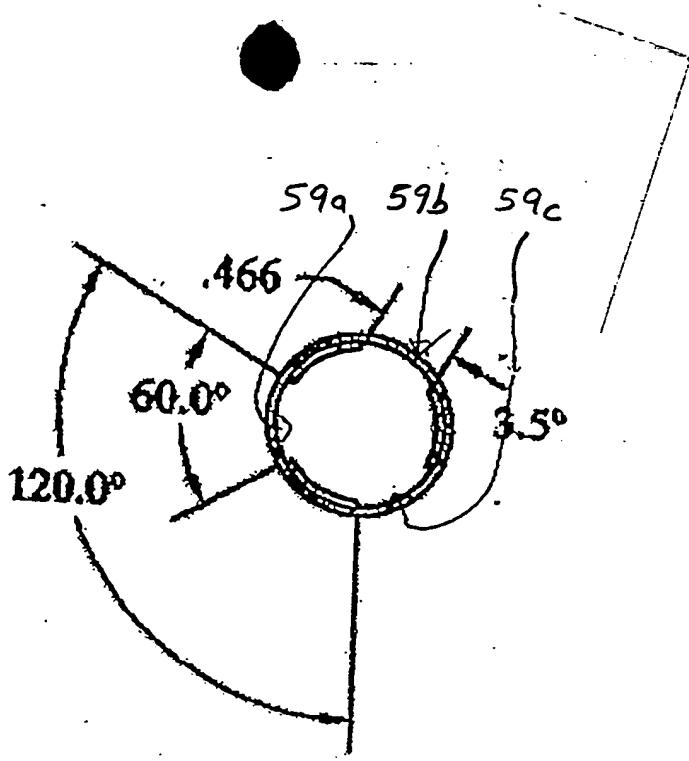
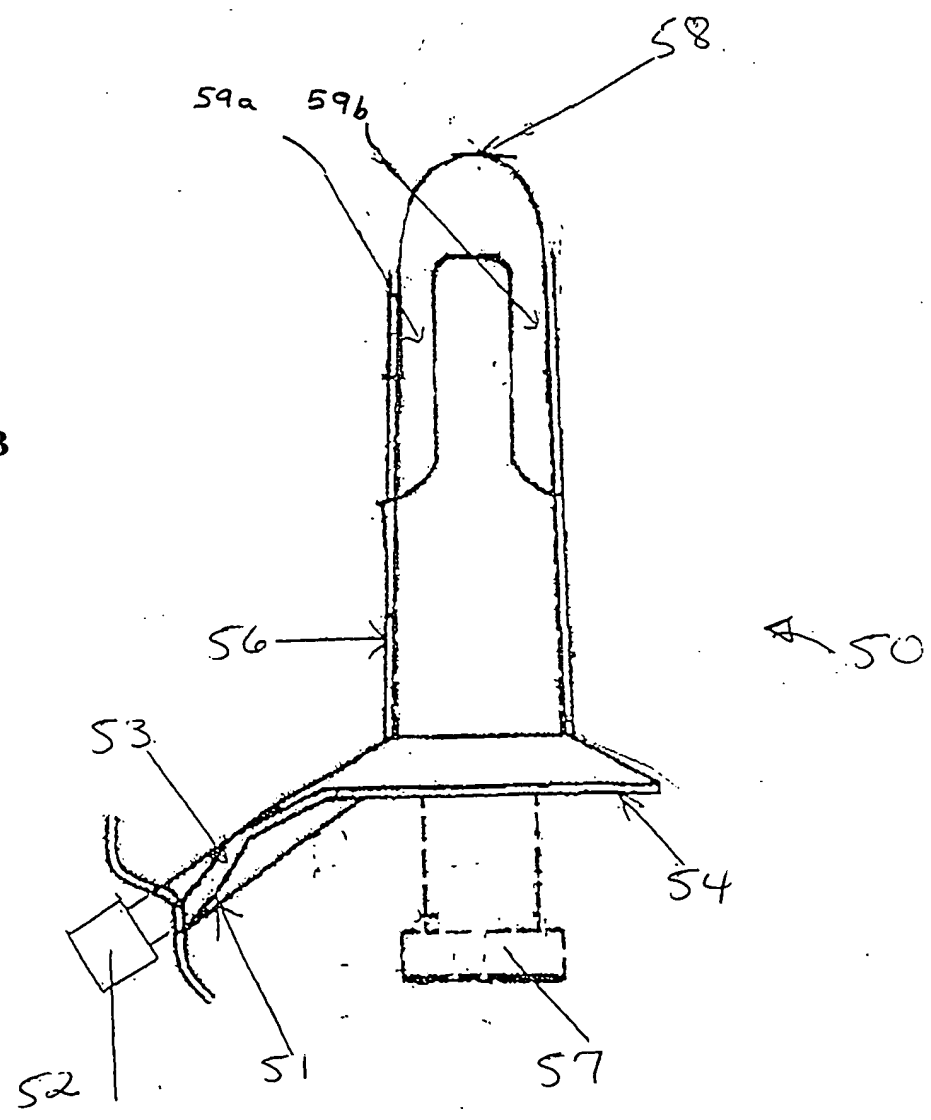


FIG. 5A

FIG. 5B



200701086624001

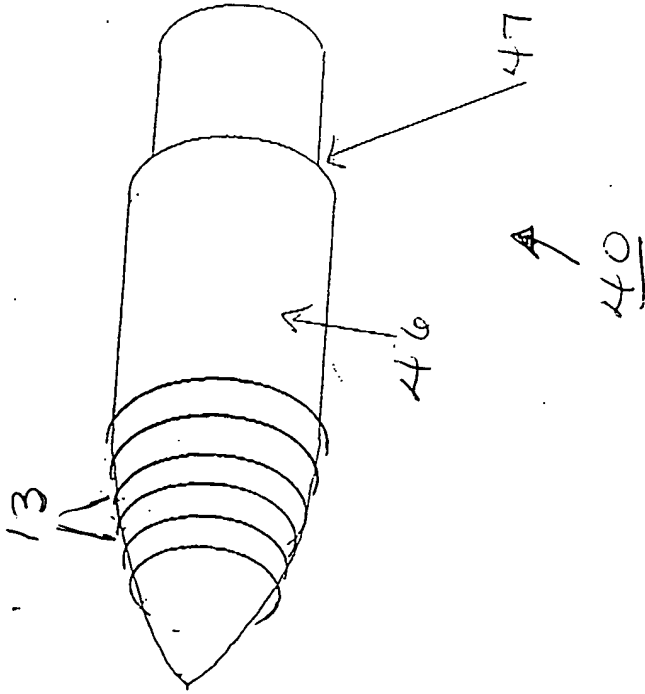
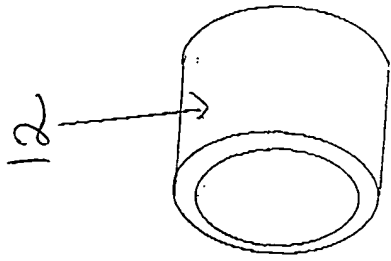


FIG. 6

3,660,866

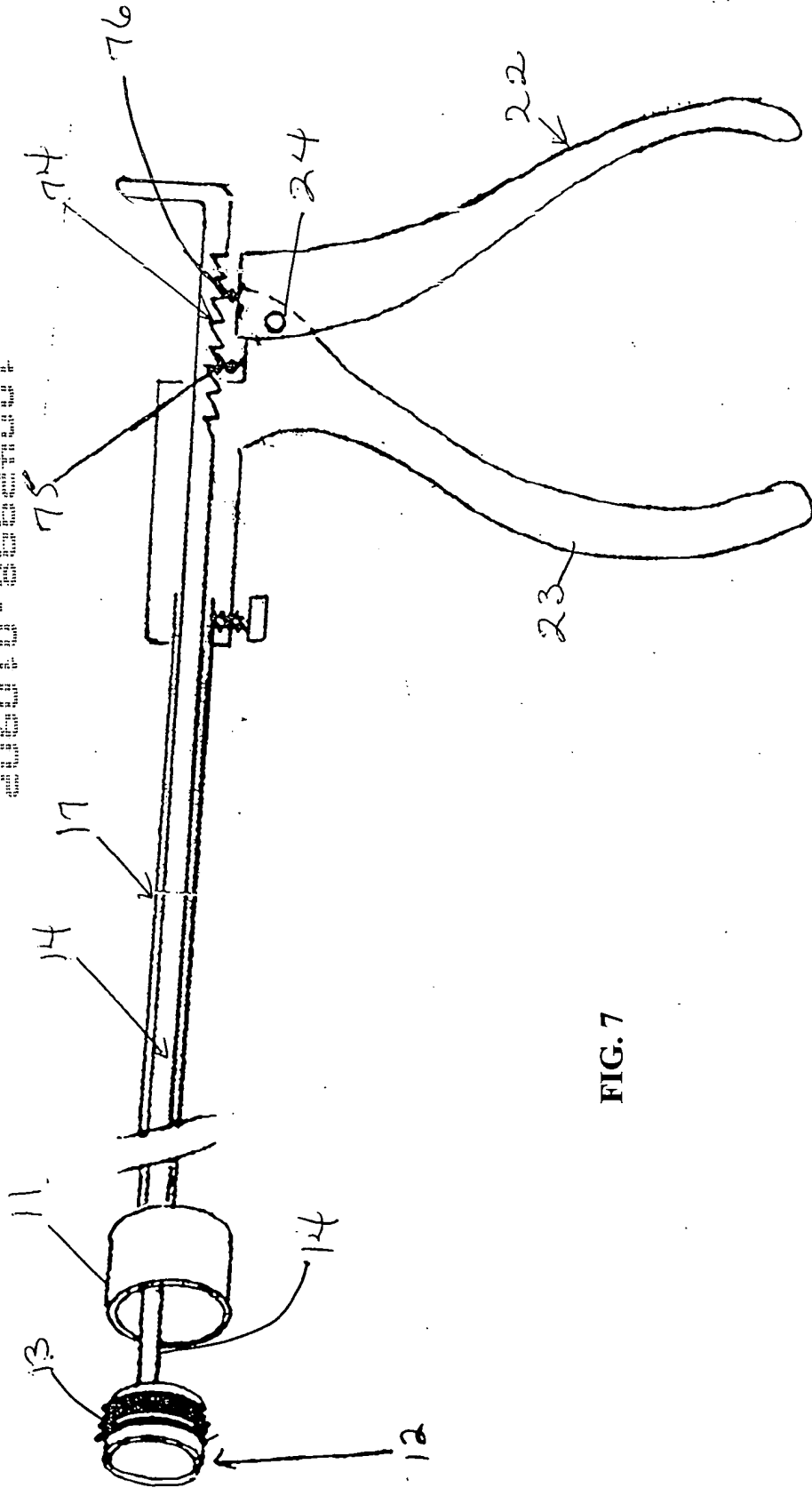


FIG. 7